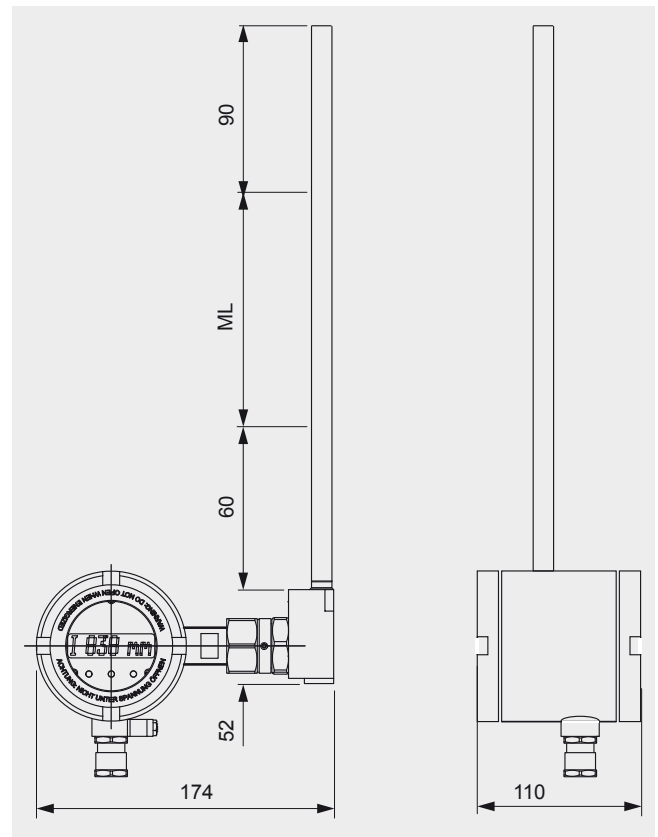


Magnetostrictive sensor, model BLM

Specifications

Connection housing (sensor housing)	Stainless steel 1.4404 Version with or without display, with window
Sensor tube	Stainless steel 1.4571, tube Ø 12 mm, tube length L max. 5,800 mm
Temperature range	Medium temperature: -60 ... +185 °C Ambient temperature: - Version without display: -40 ... +85 °C - Version with display: -20 ... +70 °C - Version Ex i: T3/T4/T5/T6 -20 °C ... +70/+70/+70/+60 °C - Version Ex d: T3/T4/T5/T6 -40 °C ... +70/+70/+70/+60 °C
Output signal	4 ... 20 mA, HART®
Power supply	DC 10 ... 30 V
Measuring accuracy	< ±0.5 mm
Resolution	< 0.1 mm
Load	max. 900 Ω at 30 V
Mounting position	Vertical ±30°
Ingress protection	IP 67



Ordering information

To order the described product the order number (if available) is sufficient.

Alternatively:

Sensor model / Connection housing / Electrical connection / Sensor tube (material and total length) / Contact separation, head-mounted transmitter / Measuring range / Approval

© 2014 KSR KUEBLER Niveau-Messtechnik AG, all rights reserved.
The specifications given in this document represent the state of engineering at the time of publishing.
We reserve the right to make modifications to the specifications and materials.